

Barry Stoodley Pty Ltd

ROCKINGER R500 G65

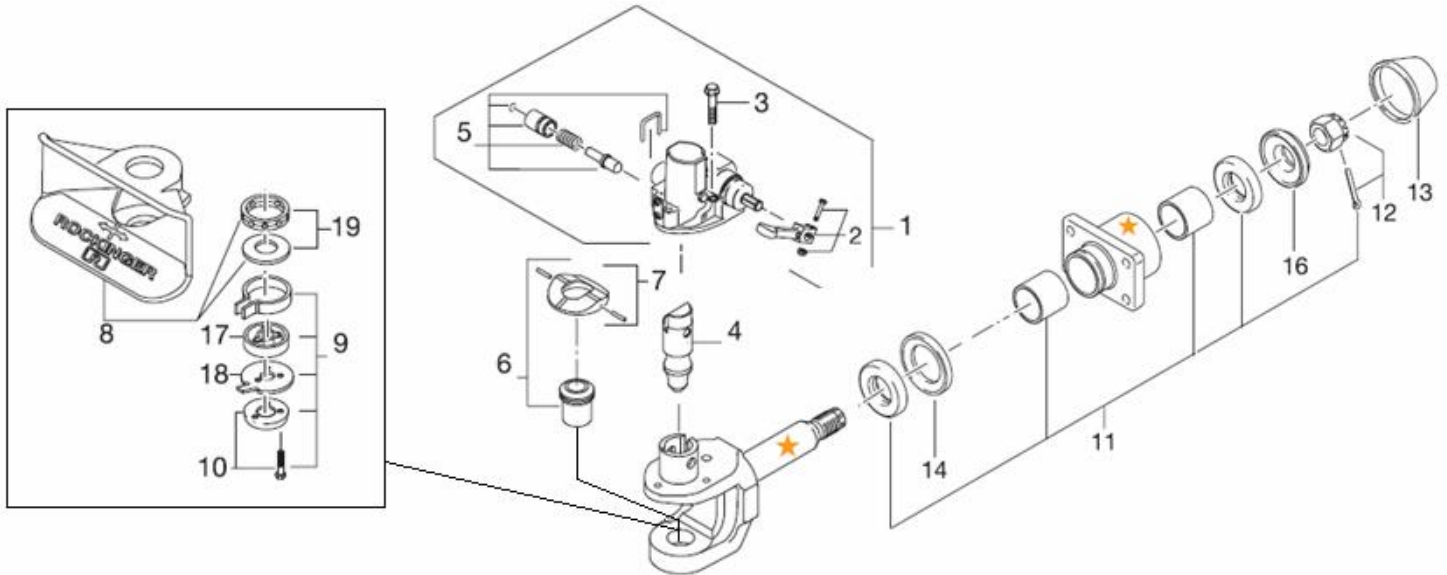


Fig.	Description	Remark	Part No.	Quantity
1	Automatic unit	without 4	R 70849	1
2	Hand lever	A	R 50244	1
2	Hand lever	B - Australian version	R 70735	1
3	Screw set		R 30269	1
4	Coupling pin ¹	with grease tube	R 47081	1
5	Safety system	revision 1	R 70925	1
5	Safety pin	revision 0	R 52439	1
6	Lower bush (bronze)	with 7	R 53490	1
6	Lower bush (steel)	with 7	R 53536	1
7	Support ring (bronze) ²		R 70850	1
7	Support ring (steel) ²		R 70851	1
8	Funnel	with 19	R 46111	1
8	Funnel	with 19, reinforced	R 46118	1
9	Base plate set		R 65693	1
10	Screw set	with protection	R 30358	1
11	Bearing repair kit	for 3	R 25476	1
11	Bearing repair kit	for 4, 5	R 25347	1
11	Bearing repair kit	for 6	R 25345	1
12	Castle nut	for 3, with split pin	R 56111	1
12	Castle nut	for 4, 5, with split pin	R 56112	1
12	Castle nut	for 6, with split pin	R 56102	1
13	Nut cover	for 3	R 25254	1
13	Nut cover	for 4, 5, 6	R 25347	1
14	Spring cap	for 3	R 44160	1
14	Spring cap	for 4, 5	R 44161	1
14	Spring cap	for 6	R 44121	1
15	Support plate	for reinforced version	R 59144	1
15	Support plate	for version MB	R 70985	1
16	Conical cap	for 3	R 59279	1
16	Conical cap	for 4, 5	R 59280	1
16	Conical cap	for 6	R 59141	1
17	Guide bush		R 53467	1
18	Base plate		R 65626	1
19	Bearing rings for funnel		R 25479	1
R	Repair set	4, 5, 6, 9	R 71125	1

¹ When replacing the coupling pin (4), please check the safety system (5) and if required, substitute it.

² Before replacing the support ring (7) the lower bush (6) is to be cleaned.